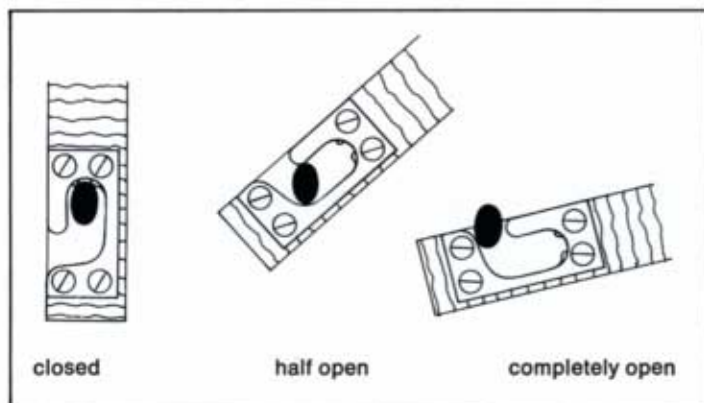


Radiator screen hardware 670 679

PRAMETA



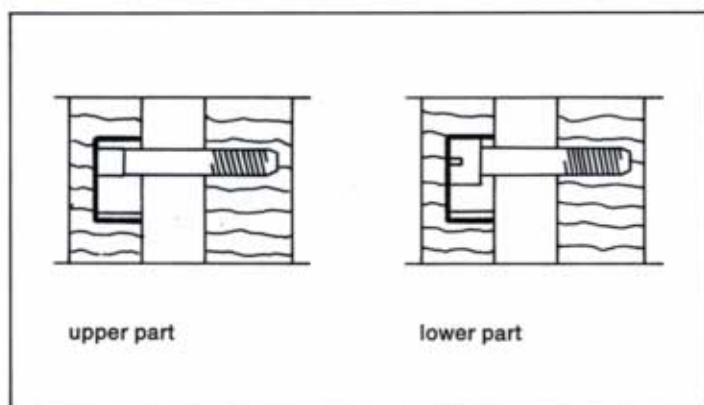
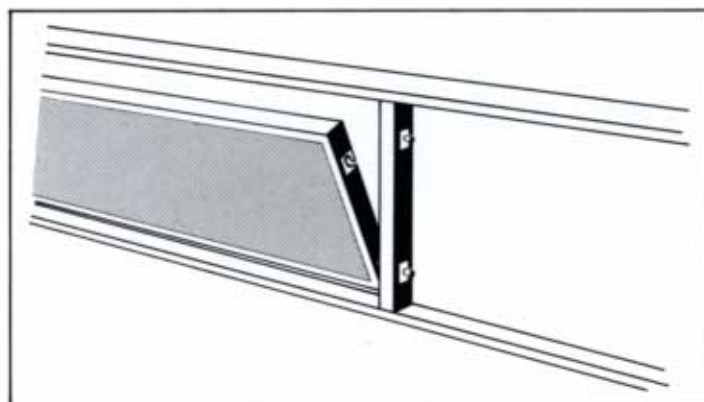
Radiator screen hardware No. 670



upper part

lower part

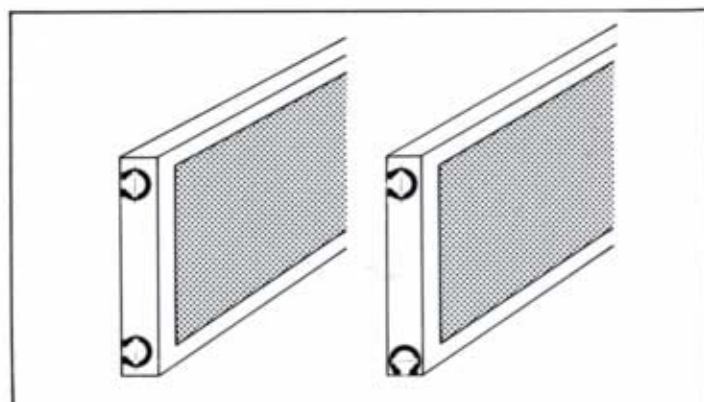
Zinc die-cast
Fastening: wood screws ϕ 3 mm = 1/8"
Package: 1 set consisting of 8 pieces
Finishes:
M = brass colour baked
BL = brown colour baked
AL = aluminium colour baked



Radiator screen hardware No. 679

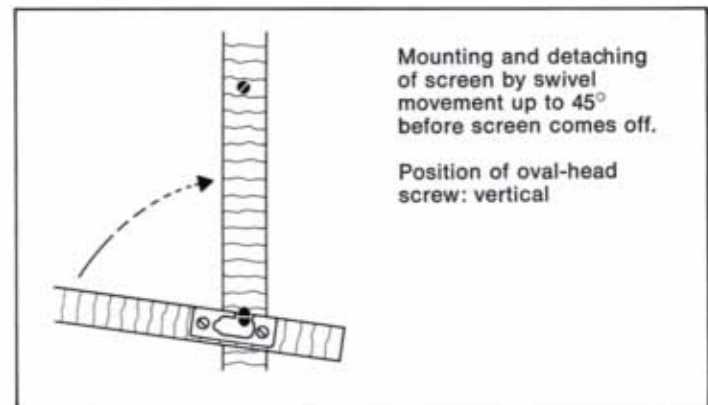
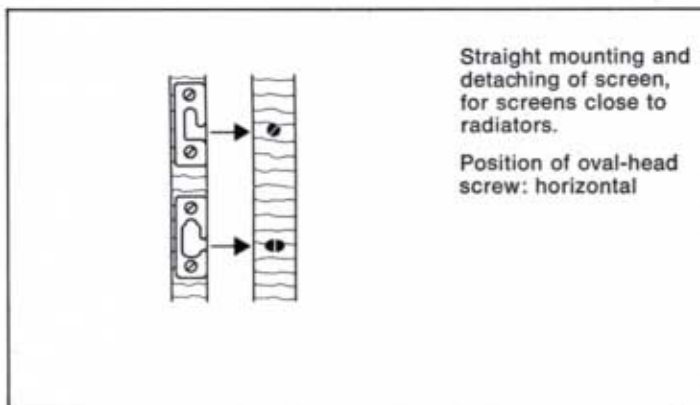
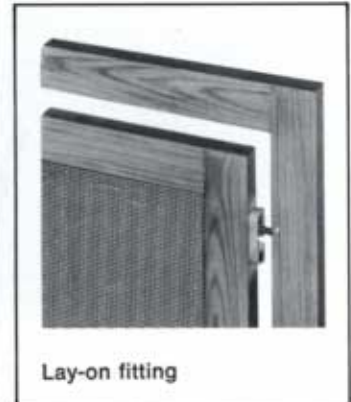
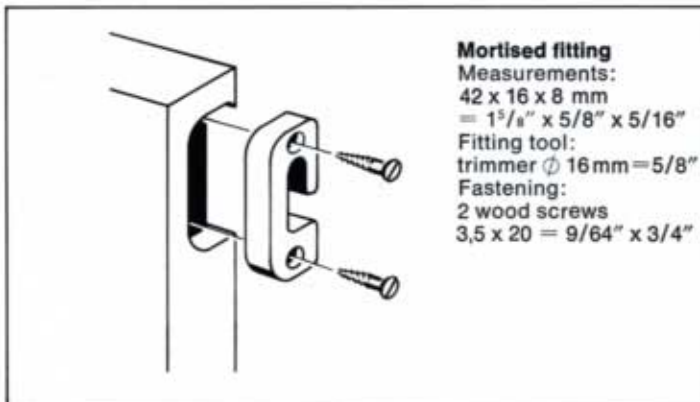
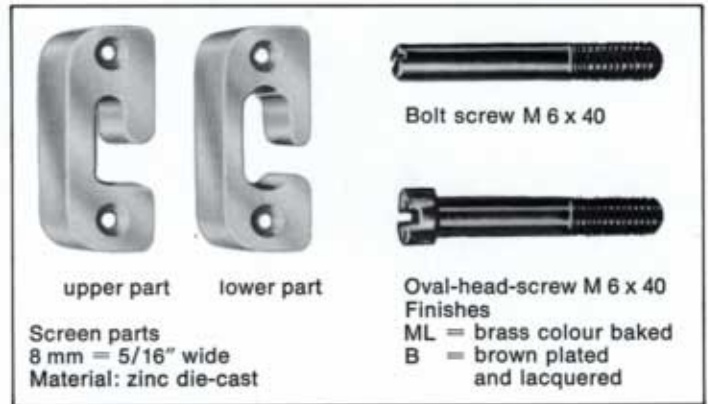
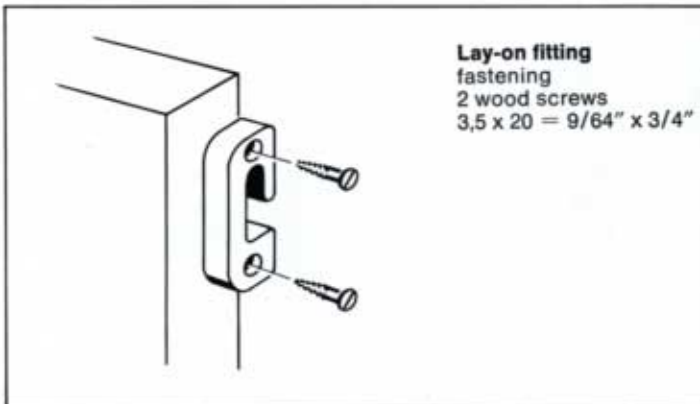


Oval head screws: steel
shells: plastic
Package: 1 set consisting of 8 pieces
Finishes:
w = white
br = brown
oval-head screw brass colour baked



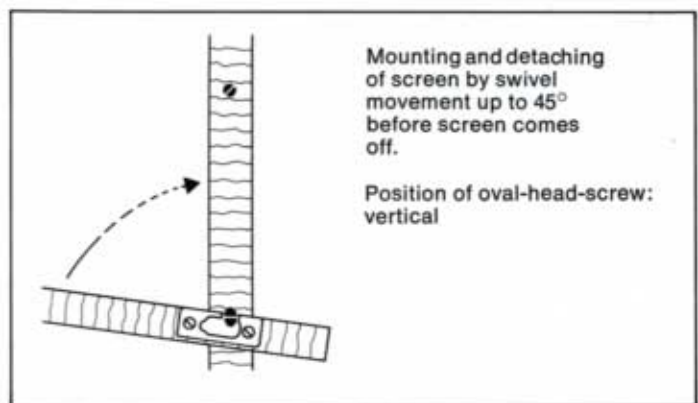
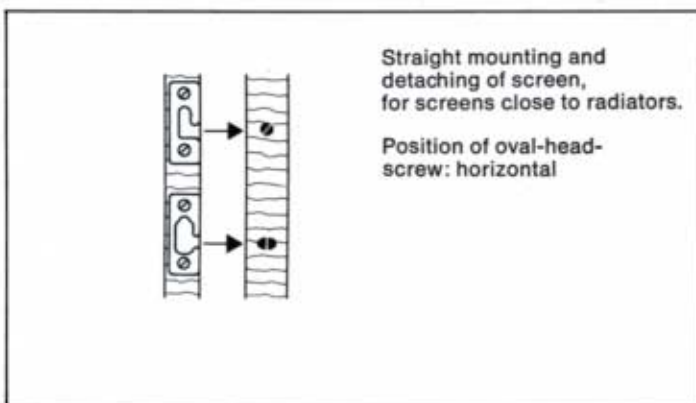
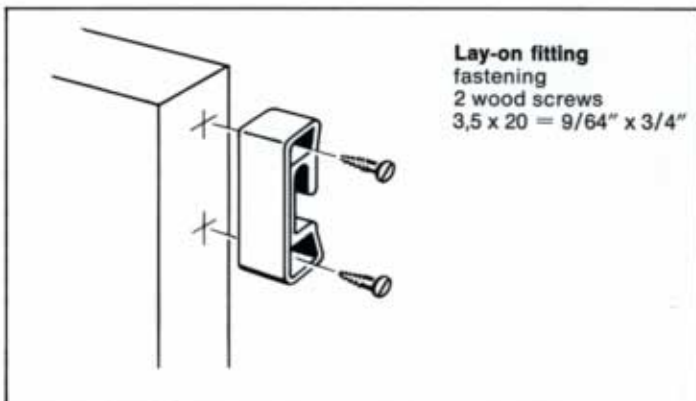
Radiator screen hardware 801

PRAMETA



Examples for ordering
801/ML = brass colour baked
801/B = brown plated and lacquered

Radiator screen hardware 802



Examples for ordering:
802/ML = brass colour baked
802/B = brown plated and lacquered