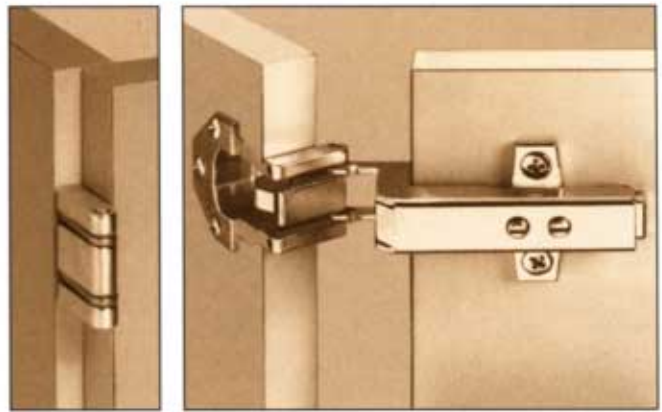


SERIES 400

SINGLE PIVOT HINGES

- Corner, central and twin mounting
- 3-dimensional adjustment
- Side adjustment of the knuckle + 2 / - 6 mm
- Depth and height adjustment ± 2 mm
- Door thickness up to 22 mm
- Panel thickness up to 21 mm
- Knuckle diameter 7,5 mm
- Gap 8 mm
- Opening angle between 180° and 270°
- Convenient to mounting and short screw on
- Base plates horizontal or in hole line 32
- Standard execution nickel plated
- Corrosion resistant version for humid spaces

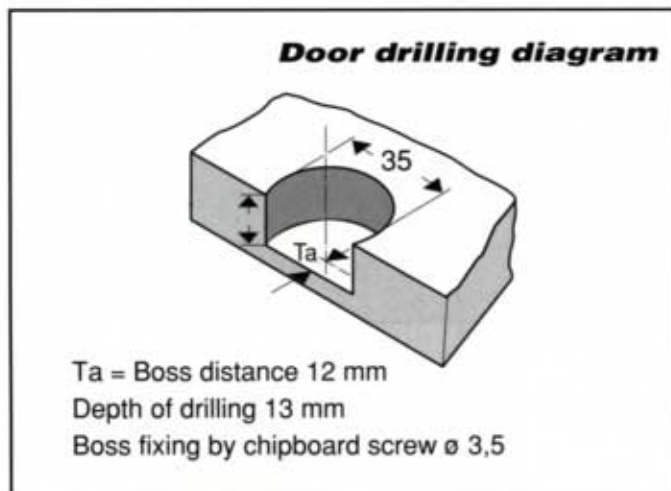
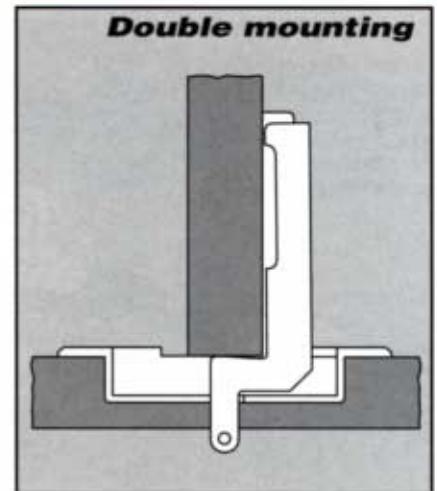
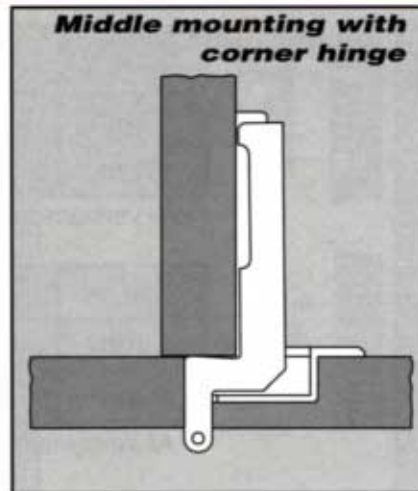
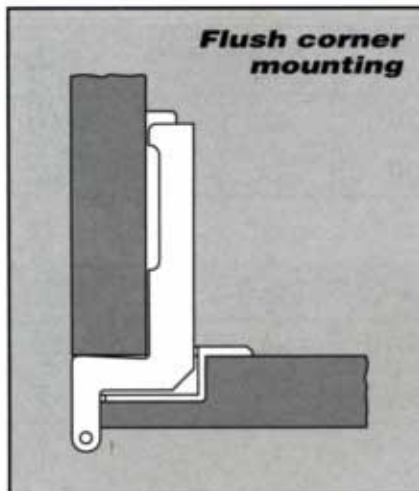


Mounting	Standard	Humid space version	Pack.
	442 with catch	449	20
	443	447	
	444	447*	20
	442*	449*	
	ZW 444		20

* in case of taking the 10 mm base plate

Base Plates	Horizontal	Hole line 32 mm	
		Standard	Height adjustmt.
0 mm	GW 43/0	GS 32/0/S	GS 32/0/H
4 mm	GW 43/4	GS 32/4/S	GS 32/4/H
10 mm	GW 43/10	GS 32/10/S	GS 32/10/H

Further details on request



Number of hinges

4	240 cm	up to 24 kg
3	200 cm	up to 20 kg
3	160 cm	up to 16 kg
3	120 cm	up to 12 kg
2	80 cm	up to 8 kg
2	60 cm	up to 5 kg

- Recommended for 19 mm chipboard
- Door width up to 60 cm
- Doors should not be wider than high
- Please refer also to **Tips from the expert P.34**
- Minimum distance 40 cm

SERIES 400 BASEPLATES



Screw baseplate for chipboard screws \varnothing 4 or sleeve screws

BASEPLATES MADE OF ZINC DIE-CAST ZINC- OR CHROMIUM-PLATED

Distance	Mounting			Article-No.		PU pieces
	Corner	middle double	inset	zinc-plated	chromium- plated	
0 mm	○			GW 43/0	GW 43/0 Cr	100
4 mm	○			GW 43/4	GW 43/4 Cr	100
10 mm		○	○	GW 43/10	GW 43/10 Cr	100
2 mm	Distance compensation			DW 43/2 plastic		100



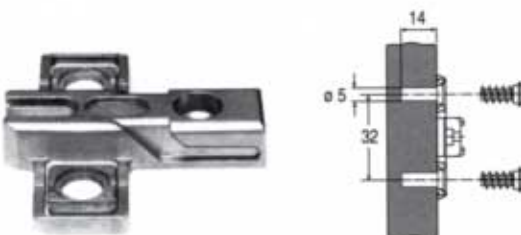
Flanged baseplate for chipboard screws \varnothing 4 or sleeve screws

Distance	Mounting			Article-No.		PU pieces
	Corner	middle double	inset	zinc-plated	chromium- plated	
0 mm	○			GS 32/0	GS 32/0 Cr	100
4 mm	○			GS 32/4	GS 32/4 Cr	100
10 mm		○	○	GS 32/10	GS 32/10 Cr	100
2 mm	Distance compensation			DS 32/2 plastic		100



Flanged baseplates for Euro screws S 6,3 x 13 (10)

Distance	Mounting			Article-No.		PU pieces
	Corner	middle double	inset	zinc-plated	chromium- plated	
0 mm	○			GS 32/0/S	GS 32/0/S Cr	100
4 mm	○			GS 32/4/S	GS 32/4/S Cr	100
10 mm		○	○	GS 32/10/S	GS 32/10/S Cr	100
2 mm	Distance compensation			DS 32/2 plastic		100



Flanged baseplate, with height adjustment, for Euro screws S 6,3 x 13 (10)

Distance	Mounting			Article-No.		PU pieces
	Corner	middle double	inset	zinc-plated	chromium- plated	
0 mm	○			GS 32/0/H	GS 32/0/H Cr	100
4 mm	○			GS 32/4/H	GS 32/4/H Cr	100
10 mm		○	○	GS 32/10/H	GS 32/10/H Cr	100
Euro screws S 6,3 x 13 (10) are included						200