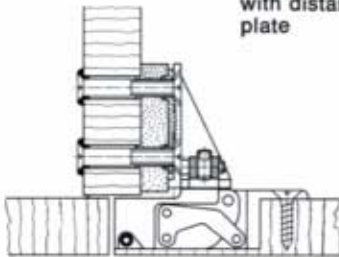
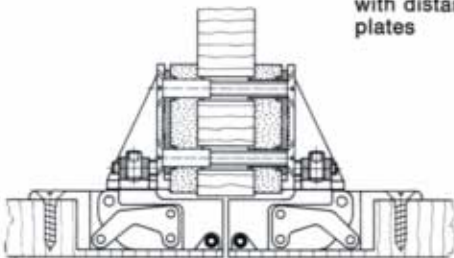


Corner fitting



Middle mounting with distance plate



Double fitting with distance plates



Fitting: invisible
 Opening angle: 180°
 Finish: all metal
 Colour: N = bright nickel plated
 Wood thicknesses from 19 mm = 3/4" upwards
 Joint from 1 mm = 3/64" upwards (see list over-leaf)
 Depth and side adjustable, detachable
 Package: 20 pieces
 Quick mounting cabinet hinges for module 32

Page 12

Fitting instructions and fitting tools

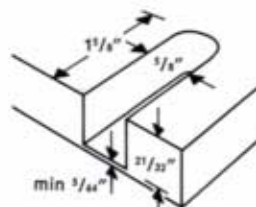
Page 13



Measurements and weights of doors:

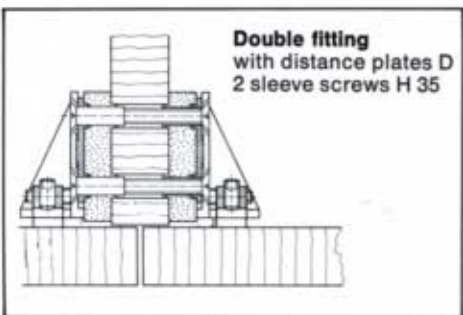
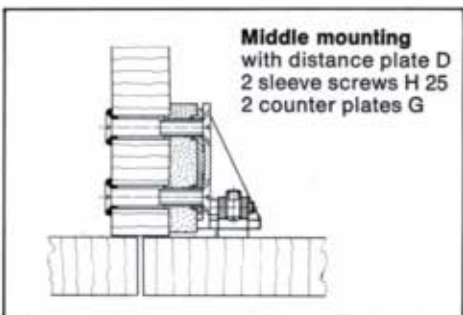
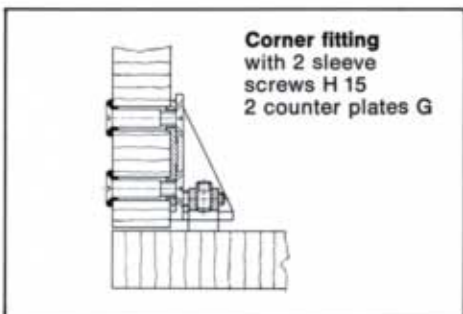
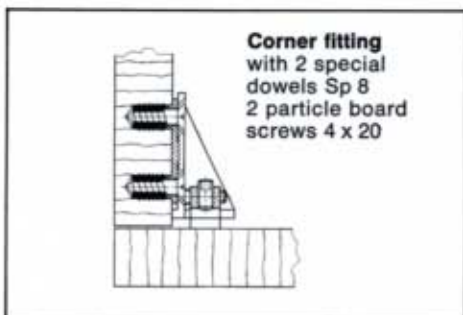
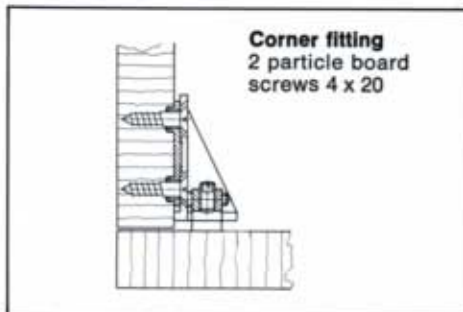
Height		Width		Weight		Number hinges
cm	in.	cm	in.	kg	lbs	
200	80	62.5	24	20	45	3
160	60	62.5	24	16	35	3
120	50	62.5	24	12	25	3
80	30	62.5	24	8	18	2
50	20	50.0	20	4	9	2





Doors should not be wider than high. Min. distance of hinges on small doors should be 40 cm = 15 in.




Reading of tenders

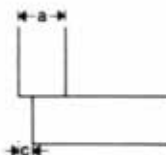
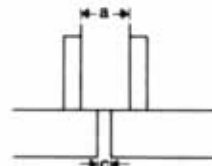
PRAMETA quick mounting cabinet hinge 591-19/N

Fastenings on frame

Accessories

	Designation	Packing	Use
	Distance plates white or brown D = 9 mm = 11/32" thick D 4 = 4 mm = 5/32" thick	20 pieces	Single and double fitting
	Special dowels Sp 8	50 pieces	Safe fastening in particle boards
	Sleeve screws H 15 to H 40	50 pieces	Through-going fastening
	Counter plate G	50 pieces	Through-going fastening

Fitting tool

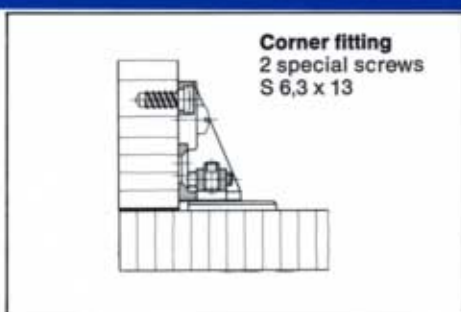
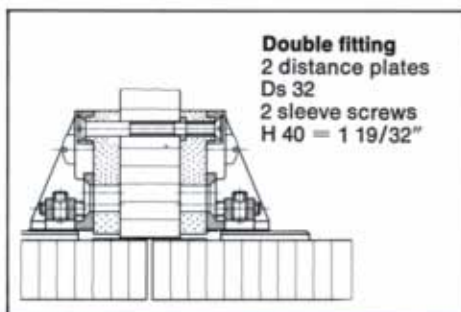
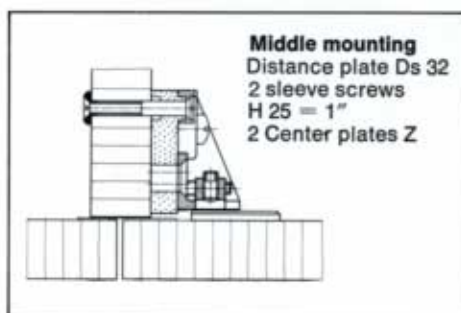
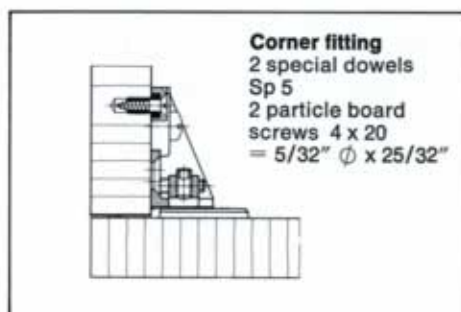
	Template drill set B 591	1 set = 3 pieces	Exact positioning of hinge from door to frame
---	-----------------------------	---------------------	---

Schedule of joints
**Fitting
on single doors
without distance plate**

**Fitting
on double doors
with distance plates**


Thicknesses of frames "a"		Joint "c"			
		min.		max.	
mm	in.	mm	in.	mm	in.
16	5/8	0	0	2	5/64
17	43/64	0	0	3	1/8
18	45/64	0	0	4	5/32
19	3/4	0	0	5	13/64
20	25/32	0	0	6	15/64
21	53/64	0	0	7	9/32
22	7/8	0	0	8	5/16
23	29/32	1	3/64	9	11/32
24	15/16	2	5/64	10	25/64

Thicknesses of frames "a"		Joint "c"			
		min.		max.	
mm	in.	mm	in.	mm	in.
16	5/8	0	0	6	15/64
17	43/64	0	0	7	9/32
18	45/64	0	0	8	5/16
19	3/4	0	0	9	11/32
20	25/32	0	0	10	25/64
21	53/64	0	0	11	7/16
22	7/8	0	0	12	15/32
23	29/32	0	0	13	33/64
24	15/16	0	0	14	9/16

Quick mounting cabinet hinges 541, 591 for frame fastening in module 32 vertical



Middle mounting and double fitting of hinges 541-19/Rs 32

591-19/Rs 32 can only be done by means of special dowel and sleeve screws.

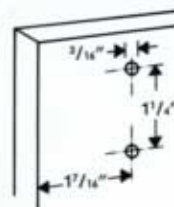


Fastening with special dowel and sleeve screws

Quick mounting cabinet hinges
541-19/Rs 32

591-19/Rs.32

Package
100 pieces



Accessories

	Designation	Package	Use
	Special dowel Sp 5	100 pieces	Fastening of frame part in module 32
	Sleeve screw H 25 = 25 mm = 1" long H 40 = 40 mm = 1 19/32"	100 pieces	Through-going fastening
	Center plate Z	100 pieces	Through-going fastening
	Distance plate Ds 32 thickness: 9 mm = 11/32"	100 pieces	Distance adjustment for middle-mounting and double-fitting

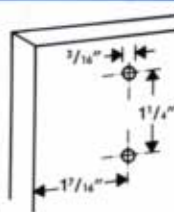


Fastening with special screws


Quick mounting cabinet hinges
541-19/Rs 32/S

591-19/Rs 32/S


Package:
100 pieces



Accessories

	Designation	Package	Use
	Special screws S 6,3 x 13	200 pieces	Fastening of frame part in module 32

Fitting tools

	Template drill set B 591 and accessory part B 32	1 set = 3 pieces	For fitting of individual doors by means of hinges 541 - 581 - 591 in module 32
---	--	---------------------	---

Instructions for use

Determine drillings in frame

- Drilling in door
- Put PRÄMETA template drills B 591 with additional part B 400 or B 541 resp. – one per hinge – on frame
- Put door on frame; drilling must be centred over template drill
Adjust door and fasten template drills
- Detach door



Drilling in frame

Measurements

Wood screws

= \varnothing 8 x 3 mm deep = 5/16" x 1/8" deep

Special dowels

= \varnothing 8 x 14 mm deep = 5/16" x 9/16" deep

Sleeve screws

= \varnothing 8 mm = 5/16" through-going

Tool

Drill bit \varnothing 8 mm = 5/16"

PRÄMETA tool set

3 of each

Template drills B 591

Additional parts B 400 and B 541


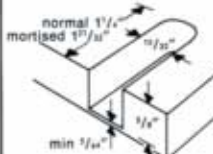

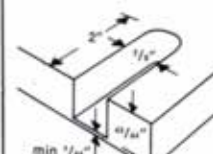

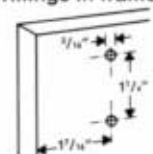
1 set collar for drill bit \varnothing 8 mm = 5/16"

M 5 screws for fastening on rods.

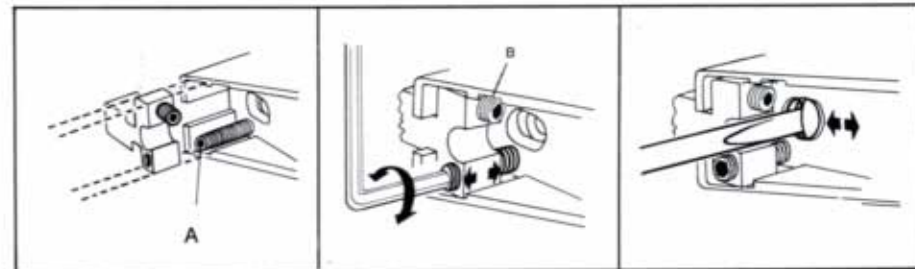
Mass production

Mount trimming templates or template drills on 8 mm = 5/16" \varnothing rods

Fitting tools

		for quick mounting cabinet hinge	with trimming of door edge
	Template drill set B 591 with additional part B 541	541-19/N	
	Template drill set B 591	591-19/N	
	Template drill set B 591 with additional part B 32 The additional parts B 32 are not automatically attached to the template drill set B 591. Please order separately.	541-19/N 591-19/N single fitting in module 32	Drillings in frame 

Handling



Mount door

Push upper hinge into T-slot of frame part.
Put frame part on door by turning adjusting screw A left. Place middle and lower hinges and fasten adjusting screw A.

Side adjustment

Max. 8 mm = 5/16"
Adjust joint continuously by turning adjusting screw, then fasten clamping screw B by means of socket head key.

Depth adjustment

Max. 4 mm = 5/32", zero position, screw in middle of slot. Loosen screws, move frame part on serration and tighten screws again.