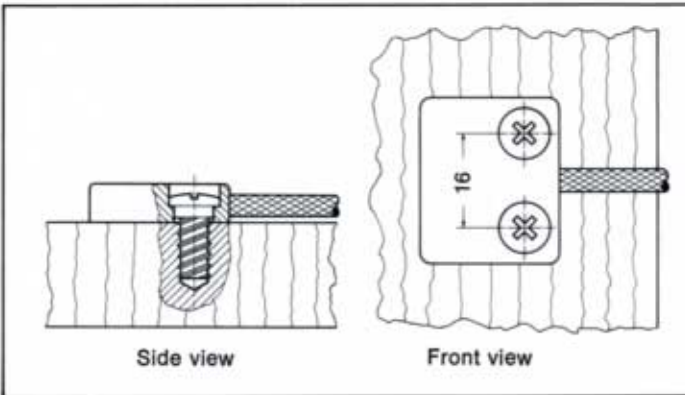
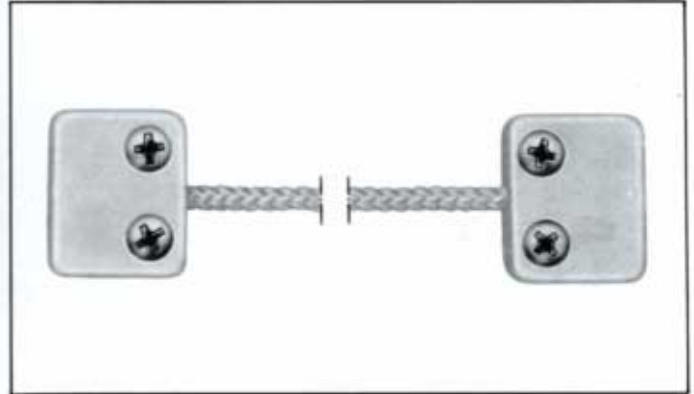
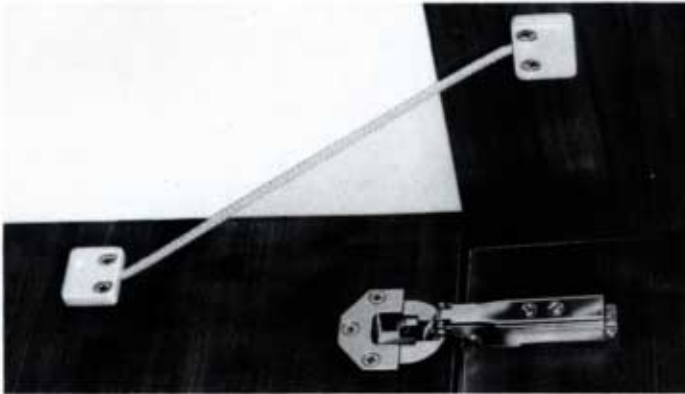


Door stop 240/w 240/br

PRÄMETA



Finish: plastic
Colour: w = white
br = brown
Package: 20 pieces

Fitting instructions


Drill door and frame twice each $\varnothing 5 \times 12 \text{ mm} = 13/64 \times 15/32''$
To do so, put door lock into position and use as marking template.
Fastening by means of 2 special screws each S 6,3 x 13
Special screws are in package.

Reading of tenders

PRÄMETA
Door stop 240/w

PRÄMETA
Door stop 240/br

Clothes guard K

	Designation	Package	Use
	Clothes guard K	100 pieces	Avoids squeezing of clothes in cabinets with little depth

